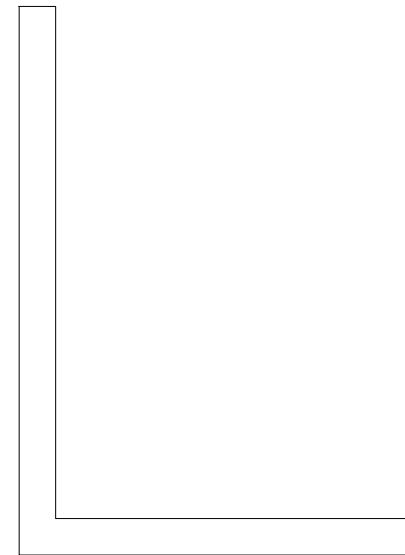
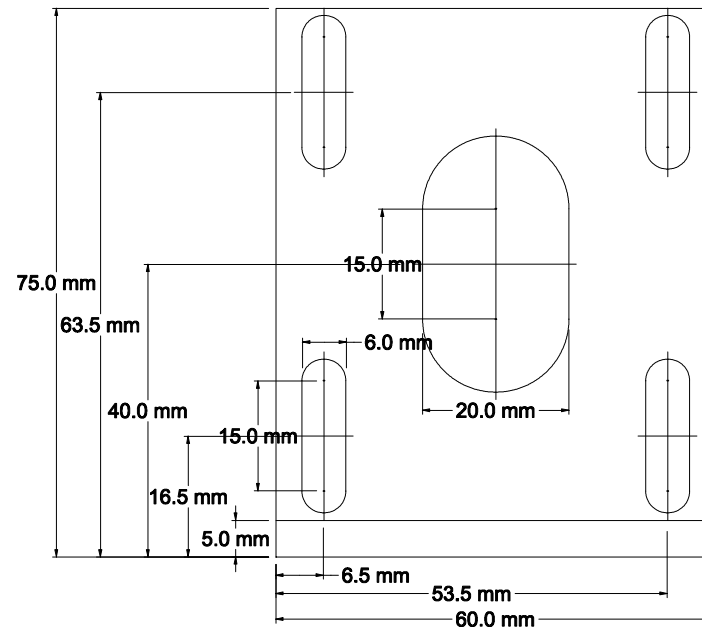
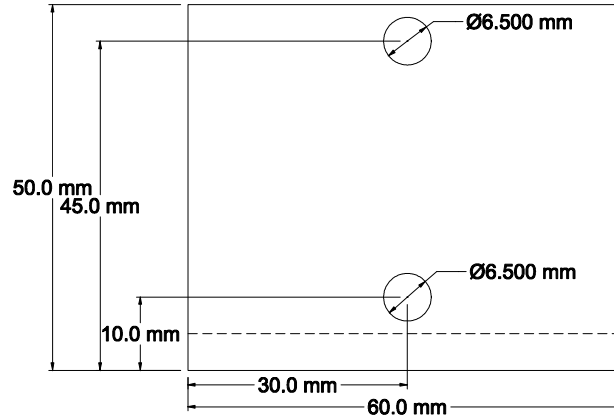


REVISIONS			
LTR	DESCRIPTION	DATE	APPROVED



1 x 50mm x 75mm x 60mm x 5mm Aluwinkel

QTY. REQD.	PART OR DWG NO.	DESCRIPTION	ITEM NO.																		
LIST OF MATERIALS																					
UNLESS OTHERWISE SPEC.		DRAWN BY:	DATE:																		
TOLERANCES:		CHECKED BY:																			
DECIMALS	ANGLES	SHOP CHECK BY:																			
.XXX	.XX	TITLE:																			
DIMENSIONS ARE:		APPROVED BY:																			
EFFECTIVE DATE:		APPROVED BY:																			
MATERIAL:		APPROVED BY:																			
FINISH:		APPROVED BY:																			
		<table border="1"> <tr> <th colspan="2">PLOT REFERENCE:</th> <th rowspan="2">DRAWING NO.</th> <th rowspan="2">REV.</th> </tr> <tr> <th>FILE</th> <th>APPEND</th> </tr> <tr> <td>A</td> <td></td> <td></td> <td></td> </tr> <tr> <td>B</td> <td></td> <td></td> <td></td> </tr> <tr> <td>C</td> <td></td> <td></td> <td></td> </tr> </table>		PLOT REFERENCE:		DRAWING NO.	REV.	FILE	APPEND	A				B				C			
PLOT REFERENCE:		DRAWING NO.	REV.																		
FILE	APPEND																				
A																					
B																					
C																					
DO NOT SCALE DRAWING		CAD DRAWING																			