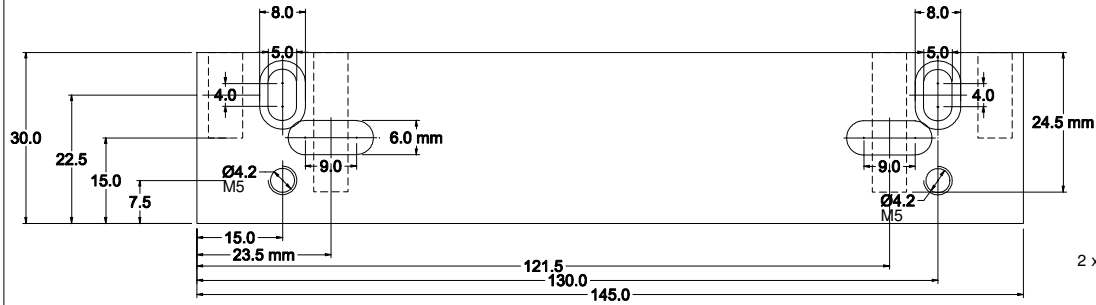
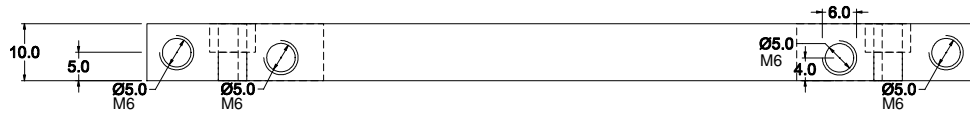
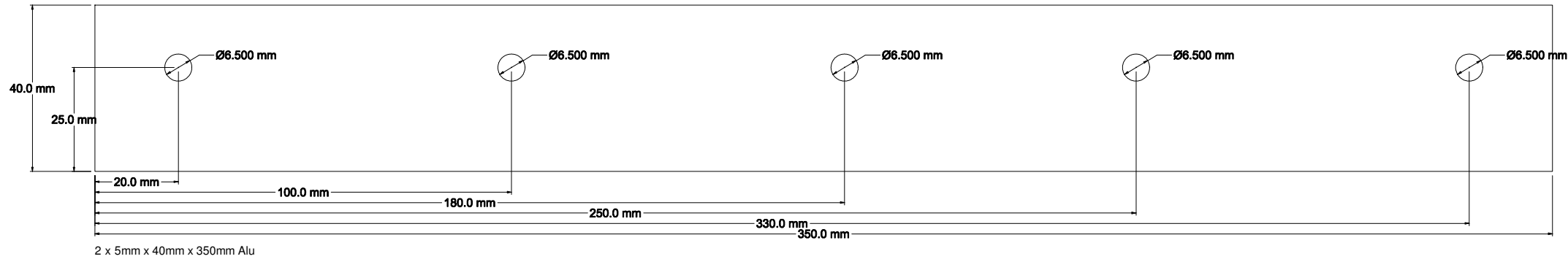


REVISIONS			
LTR	DESCRIPTION	DATE	APPROVED



2 x 10mm x 145mm x 30mm Alu



2 x 5mm x 40mm x 350mm Alu

QTY. REQD.	PART OR DWG NO.	DESCRIPTION	ITEM NO.
LIST OF MATERIALS			
UNLESS OTHERWISE SPEC.		DRAWN BY:	DATE:
TOLERANCES:		CHECKED BY:	
DECIMALS	ANGLES	SHOP CHECK BY:	TITLE:
.XXX	.XX		
DIMENSIONS ARE:		APPROVED BY:	
INCHES — METRIC		APPROVED BY:	
MATERIAL:		APPROVED BY:	
FINISH:		APPROVED BY:	
		PLOT REFERENCE:	
		DRAWING NO.	
		REV.	
		DO NOT SCALE DRAWING	