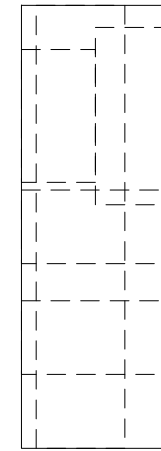
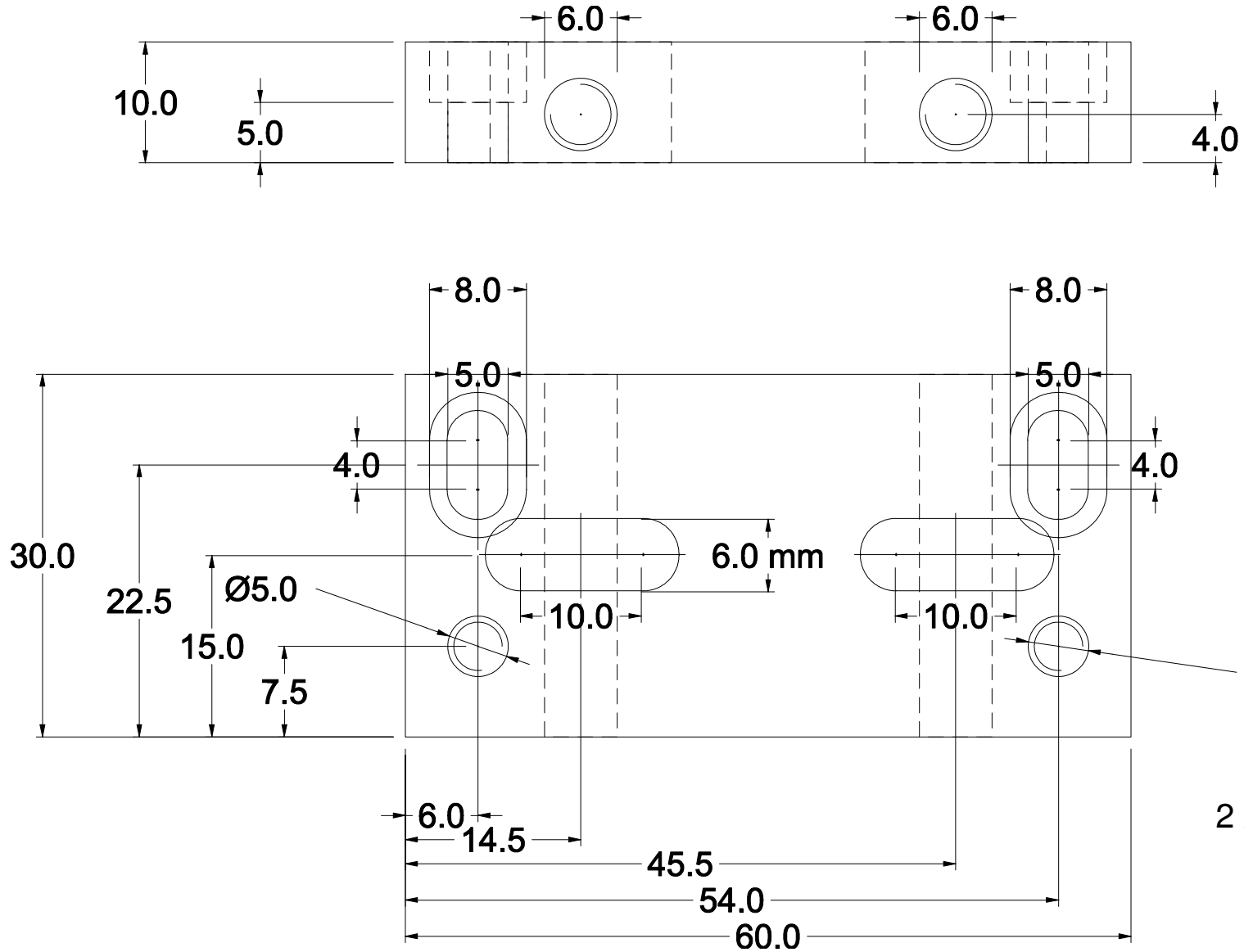


REVISIONS			
LTR	DESCRIPTION	DATE	APPROVED



2 x 30mm x 60mm x 10mm Alu

QTY. REQD.	PART OR DWG NO.	DESCRIPTION	ITEM NO.																				
LIST OF MATERIALS																							
UNLESS OTHERWISE SPEC.		DRAWN BY:	DATE:																				
TOLERANCES:		CHECKED BY:																					
DECIMALS	ANGLES	SHOP CHECK BY:	TITLE:																				
.XXX	.XX																						
DIMENSIONS ARE:		APPROVED BY:																					
DIMENSIONS ARE:		APPROVED BY:																					
MATERIAL:		APPROVED BY:																					
FINISH:		APPROVED BY:																					
		<table border="1"> <thead> <tr> <th colspan="2">PLOT REFERENCE:</th> <th>DRAWING NO.</th> <th>REV.</th> </tr> </thead> <tbody> <tr> <td>PRINT</td> <td>PLOT SIZE</td> <td></td> <td></td> </tr> <tr> <td>PLOT</td> <td>A</td> <td></td> <td></td> </tr> <tr> <td></td> <td>B</td> <td></td> <td></td> </tr> <tr> <td>D</td> <td>D</td> <td>1/46</td> <td></td> </tr> </tbody> </table>		PLOT REFERENCE:		DRAWING NO.	REV.	PRINT	PLOT SIZE			PLOT	A				B			D	D	1/46	
PLOT REFERENCE:		DRAWING NO.	REV.																				
PRINT	PLOT SIZE																						
PLOT	A																						
	B																						
D	D	1/46																					
DO NOT SCALE DRAWING		CAD DRAWING:																					